

101M

thera|pure

101M

thera|pure  
air purifier with uv light



Thank you for purchasing the Therapure® 101 air purifier. With UV germicidal protection to kill germs and permanent HEPA type filtration to purify the air, the Therapure® 101 air purifier will greatly improve the quality of the air in your home, office or other environments. We want you to be fully satisfied with your Therapure® 101. That's why your Therapure® 101 comes with a one-year limited warranty.

Once you've experienced the purity of Therapure® air, visit us at our website to find out more ways to improve the quality of your air and your life with our premium products and upgrades at [www.therapureair.com](http://www.therapureair.com).

Please be sure to read the following instructions carefully to ensure optimal performance and safety.

therapure

## TABLE OF CONTENTS

<b>SAFETY INSTRUCTIONS</b>	<b>2</b>
<b>IMPORTANT WARNINGS</b>	<b>3</b>
UV Lamp Notice	3
Mercury Notice	3
UV Lamp Disposal Notice	3
UV Lamp Breakage	3
<b>PRODUCT BENEFITS</b>	<b>4</b>
<b>MAIN PARTS</b>	<b>5</b>
<b>OPERATING THE THERAPURE® 101 AIR PURIFIER</b>	<b>6</b>
Getting Ready	6
Controls/Settings	7
<b>OPERATION</b>	<b>8</b>
Selecting a Setting	8
<b>CLEANING &amp; MAINTENANCE</b>	<b>9</b>
Cleaning the Permanent Filter	9
Cleaning the UV Lamp	10
Cleaning External Surfaces	10
Replacing the UV Lamp	11
<b>TROUBLE-SHOOTING</b>	<b>12</b>
<b>ONE-YEAR LIMITED WARRANTY</b>	<b>13</b>
<b>ARBITRATION AGREEMENT</b>	<b>14</b>

## SAFETY INSTRUCTIONS

### READ & SAVE THESE INSTRUCTIONS

#### WARNING: RISK OF ELECTRICAL SHOCK

Safety precautions should always be used when operating this or any electrical appliance. Decrease the risk of electrocution, electric shock, injury or fire by reading and following all the warnings below.

Use only as described in this Therapure® manual. To reduce the risk of electric shock, do not attempt to service the product in any way other than in the manner described in the “Cleaning & Maintenance” section of this manual.

#### READ ALL INSTRUCTIONS BEFORE OPERATING THE AIR PURIFIER.

- » This product operates at 120VAC, 60Hz only.
- » Do not run power cord under carpets, and do not cover with throw rugs.
- » Do not operate the product in any greasy environment such as in the kitchen. This product is not intended to filter oil or grease from air.
- » Do not use the Therapure® 101 air purifier in bathrooms or other humid environments, near fireplaces or in areas where flammable or combustible vapors or products may exist.
- » Always unplug the power cord from electrical socket when the purifier is not in use, before cleaning, inserting or removing parts or before moving to another location.
- » Never run air purifier unless it is fully assembled.
- » To reduce the risk of electric shock, this product has a polarized plug (one blade is wider than the other). This plug will fit into a polarized outlet only one way. If the plug does not fit into the outlet, contact qualified service personnel to install the proper outlet. Do not alter the plug in any way.
- » Always turn off all controls before unplugging the Therapure® 101 air purifier from outlet.
- » Attempting to service the Therapure® 101 air purifier in any way that is not described in this owner's manual will cause the warranty to be voided and could cause serious personal injury to the user and/or result in considerable damage to the unit.
- » Do not place the cord near a heated surface.
- » Never operate the Therapure® 101 air purifier if the plug or cord is damaged or appears damaged. Only qualified service personnel should ever replace or attempt to replace a damaged power cord.
- » Never use the power cord to pick up, carry, drag, pull, or lift the Therapure® 101 air purifier. Do not pull the cord against or around sharp corners and edges. This could result in injury to the user or damage to the cord.
- » Always remove the plug from its power outlet by holding onto the plug itself and pulling gently.
- » Never pull on the cord itself to unplug it from its power outlet.
- » Use care when operating the Therapure® 101 air purifier by keeping all foreign objects, fingers, body parts, hair, loose clothing and jewelry away from openings.
- » Never touch the Therapure® 101 air purifier or its plug when your hands are wet.
- » The Therapure® 101 air purifier is an electrical appliance. Adult supervision is required when operating the Therapure™ 101 in the presence of children.
- » **WARNING: To reduce the risk of fire or electric shock, do not use this fan with any solid-state speed control devices.**

## IMPORTANT WARNINGS

#### UV Lamp Notice

UV light is harmful to bare skin and eyes and can cause temporary or permanent loss of vision. Never look directly at the UV lamp while it is illuminated-doing so could cause loss of vision! Only view illumination through the window at the front of the unit. To prevent exposure to ultraviolet light, disconnect the power to the unit before servicing any part of the Therapure™ 101 air purifier.

#### Mercury Notice

This device contains mercury in the sealed ultraviolet lamp(s). Do not place your used lamp(s) in the trash. Disposal of any item containing mercury must be in accordance with any hazardous waste disposal or recycling laws and regulations of your state.

#### UV Lamp Disposal

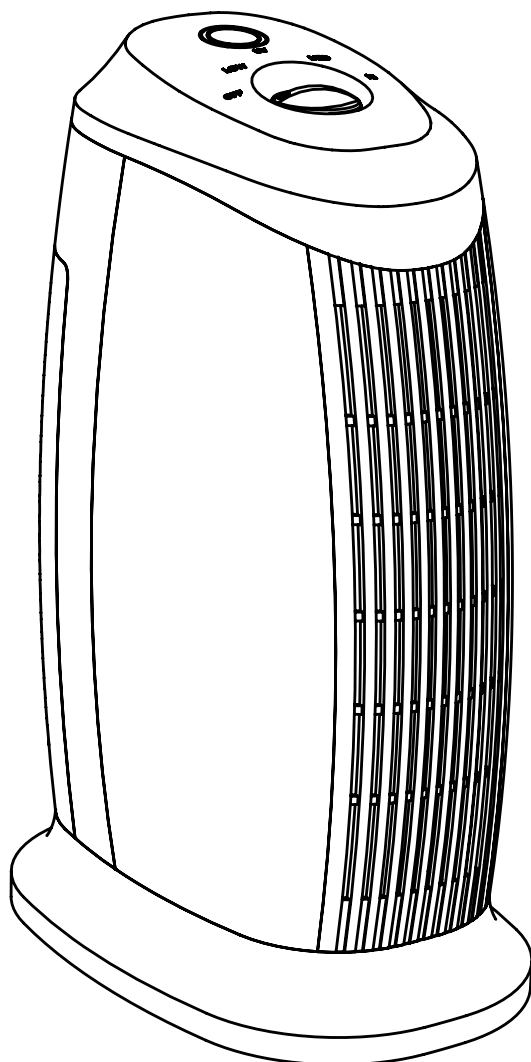
If the UV lamp breaks, turn off the unit. Do not operate the unit with a broken lamp. Do not use a vacuum to clean up breakage. Sweep debris into a plastic bag and dispose of properly. Contact your local waste management authority for instructions regarding recycling and the proper disposal of old lamp(s). To order a replacement lamp, call **1.800.875.8577** or go to **www.therapureair.com**.

therapure®

## PRODUCT BENEFITS

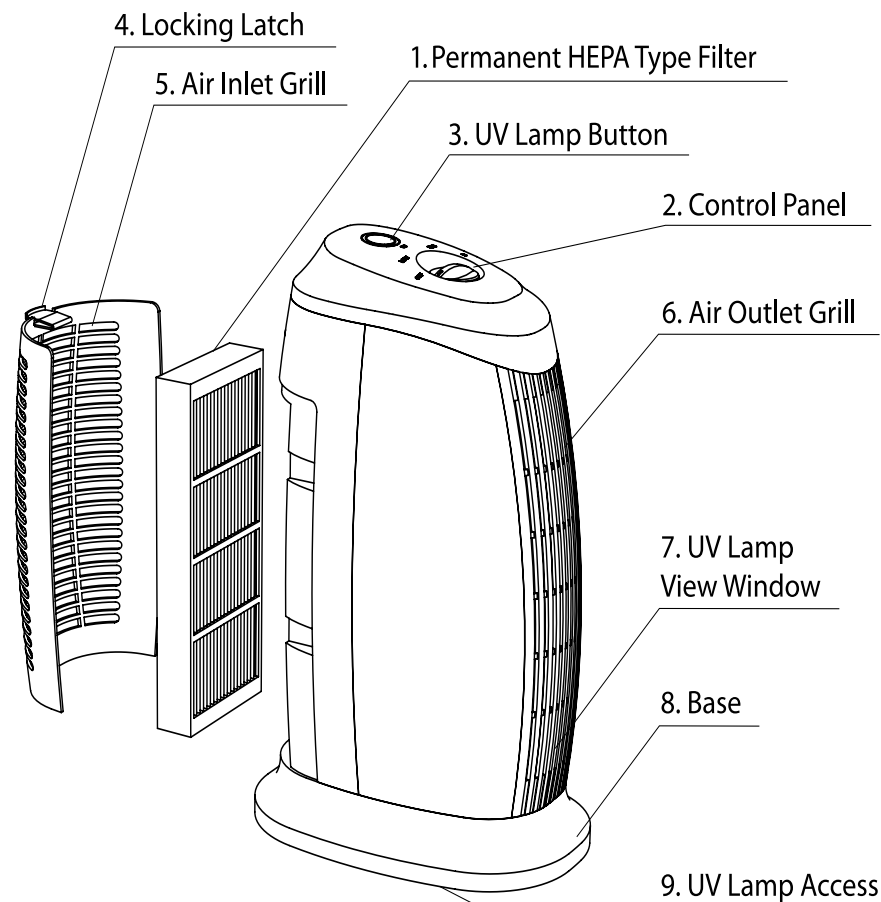
### Triple action purification:

1. Permanent HEPA type Filter takes particles out of the air, purifying it.
  2. UV lamp kills germs, such as viruses and bacteria.
  3. Photo catalyst filter removes VOCs (volatile organic compounds) from the air, including toxic fumes and chemicals such as paint and new carpet fumes.
- » Effectively removes smoke, pollen, dust, animal dander, dust mites, mold and bacteria.
- » 3 speed fan setting—lets you select the desired cleaning level.



## MAIN PARTS

1. **Permanent HEPA Type Filter:** the permanent filter removes small visible and non-visible particles down to 0.1 microns in size.
2. **3-Speed Settings:** there are 3 speed settings: low, medium and high for you to choose according to the air quality needs in the room.
3. **UV Lamp Button:** the germicidal UV light is used to kill harmful airborne bacteria, germs and viruses.
4. **Locking Latch**
5. **Air Inlet Grill**
6. **Air Outlet Grill**
7. **UV Lamp View Window**
8. **Base of Unit**
9. **UV Lamp Access**



## OPERATING THE THERAPURE® 101M

Before using your Therapure® 101 air purifier, please read the following important information.

### Electrical Ratings:

120V Setting: 120Vac, 60 Hz

Power consumption: 38 watts at high fan speed,

3 watt UV light bulb

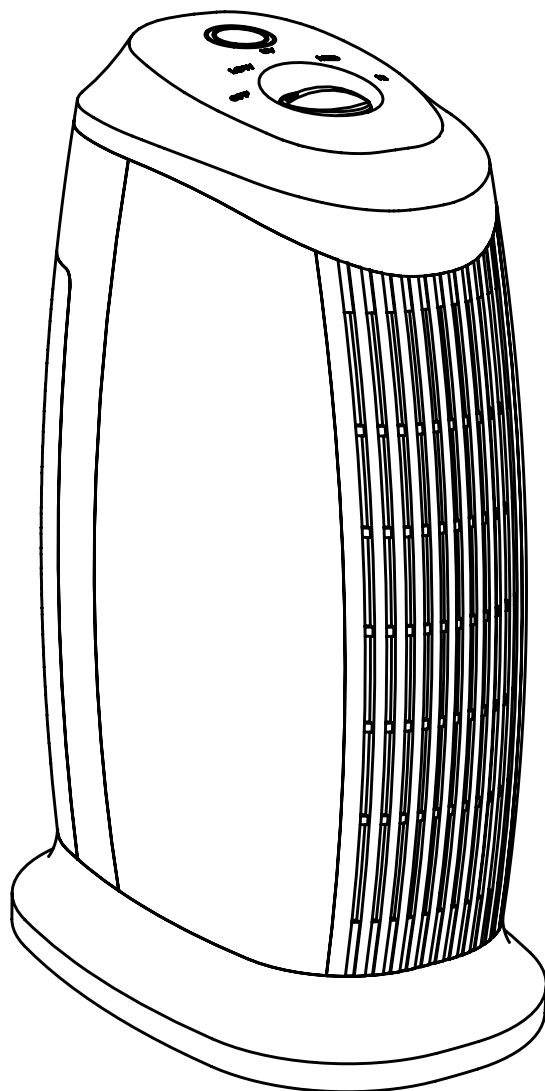
Net weight: 6.5 lbs.

Dimension (LxWxH): 10" x 7.5" x 16"

### Replacement Parts:

Lamp – TPP1010

Filter – TPP1011



101M

## OPERATING THE THERAPURE® 101M

### Controls/Settings

There is an OFF button and a Speed Knob on the Control Panel. Just turn the Speed Knob to the setting you want.

**OFF** –turns unit off.

**LOW** –at this setting, the unit will run at low speed.

**MED** –at this setting the unit will run at medium speed.

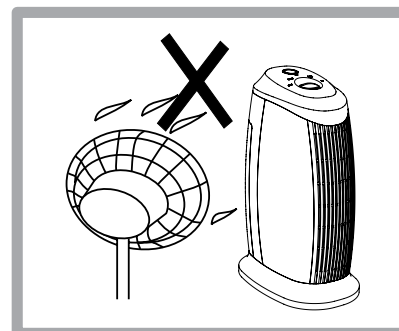
**HI** –at this setting the unit will run at high speed.

Press the UV lamp button to turn on the UV lamp to kill harmful airborne bacteria and germs. Press it again to turn off the UV lamp.

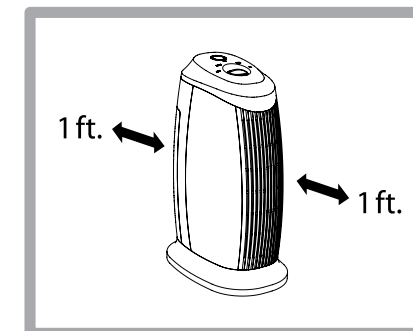
### Safety

1. Do not blow air directly into air purifier.
2. Keep both sides of the unit at least 1 foot away from a wall.
3. Do not place the unit near curtains.
4. Placing the unit close to the source of air pollution is an effective way to improve indoor air quality.

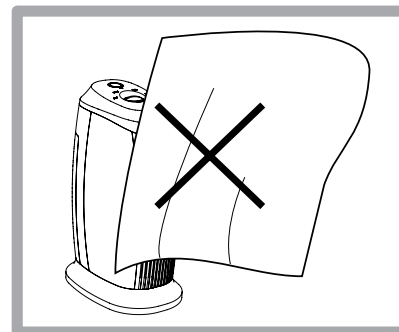
1.



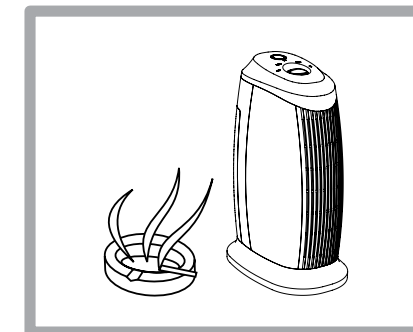
2.



3.



4.

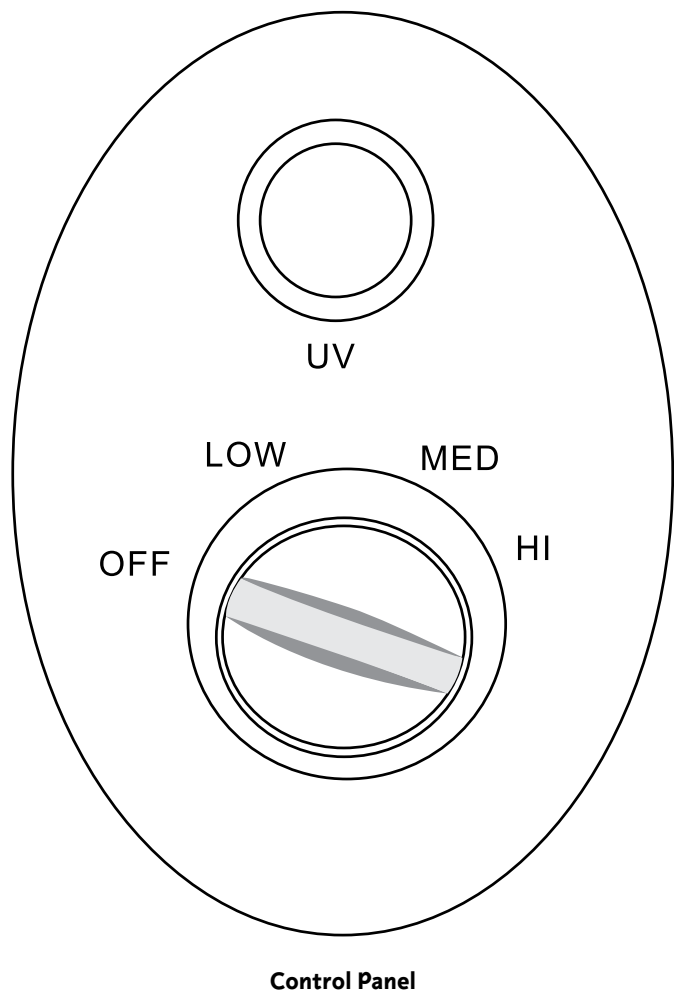


Locate a level surface on which to place your Therapure® 101 air purifier and a 120V outlet (follow warnings in the “SAFETY INSTRUCTIONS”, “IMPORTANT WARNINGS” sections of this manual). Position your Therapure® at least one foot (12 inches) from the wall. Plug in the unit. You are now ready to turn on your Therapure® 101 air purifier!

## OPERATION

To operate your Therapure® 101 air purifier, rotate the Speed Knob to the speed of your choice to activate your air purifier. There are three speed settings controlled by the Speed Knob. The different settings are **LOW**, **MED** and **HI**. Turn the Speed Knob to rotate through the settings and select the setting you desire.

Your Therapure® 101 air purifier has triple action purification. **First**, the Permanent HEPA type Filter removes pollutants such as dust, pollen, smoke and pet dander from the air. **Second**, the powerful UV technology kills airborne germs, bacteria, viruses, mold and mildew. **Third**, the photo catalyst filter removes odors and toxic chemicals and fumes.



## CLEANING & MAINTENANCE

With very little effort, the Therapure® 101 air purifier delivers cleaner, fresher, sanitized air to your indoor environments.

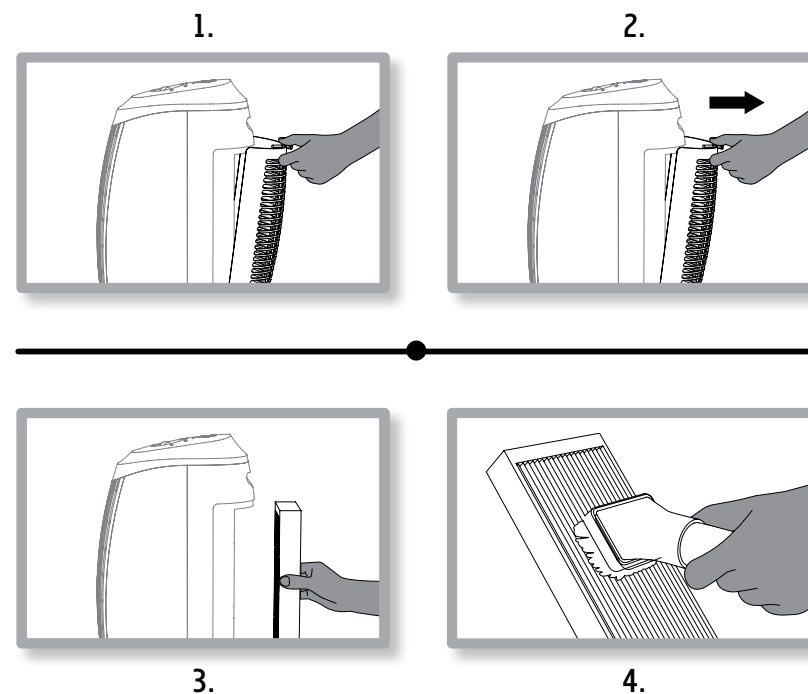
Keep your Therapure® 101 functioning properly by cleaning the Permanent HEPA type Filter. More frequent cleaning will be necessary if the unit is located in an area with a high level of airborne contaminants (excessive amounts of smoke, pet dander, etc.).

Exposing your Therapure® to candle/oil/fireplace soot and smoke is not recommended and will require more frequent cleaning.

**Remember: Always make sure your air purifier is turned off and unplugged before cleaning.**

### Cleaning the Permanent HEPA type Filter

- a. Clean the Permanent HEPA type Filter after each month of use.
  - b. Be sure to turn off and unplug the unit before cleaning.
1. Release the inlet grill by pressing on the Locking Latch (see diagram of Main Parts).
  2. Remove the inlet grill from the unit as shown below.
  3. Grasp the left and right frames of the Permanent HEPA type Filter through the indentations on the sides of the filter enclosure and remove the filter.
  4. To clean the Permanent HEPA type Filter, use the brush attachment with your vacuum cleaner. Run the attachment along the inlet and outlet side of the filter, cleaning between the crevices as much as possible. **Do not use water or any household cleaners or detergents to clean the Permanent HEPA type Filter.**



## CLEANING & MAINTENANCE

### NOTE:

- » Vacuuming will restore performance of the Permanent HEPA type Filter. However, the filter may appear stained. This is normal and does not affect performance in any way.
- » Do not use water or any household cleaners or detergents to clean the Permanent HEPA type Filter.
- » The Permanent HEPA type Filter has been designed to never need replacing. However, it does need servicing. We recommend that under normal conditions of continuous use, the filters be cleaned every month to maintain optimal functioning.
- » The inlet grill may be cleaned (after unit is turned off and unplugged) with a vacuum or a slightly damp cloth.

### UV lamp

The lifetime of the UV lamp is up to 18 months of continuous, effective operation. After this time, the bulb may remain illuminated, but its effectiveness is greatly reduced. For maximum germicidal protection, please replace the UV bulb annually.

If the lamp stops functioning, please call 1.800.875.8577 to order a replacement lamp.

### Cleaning External Surfaces

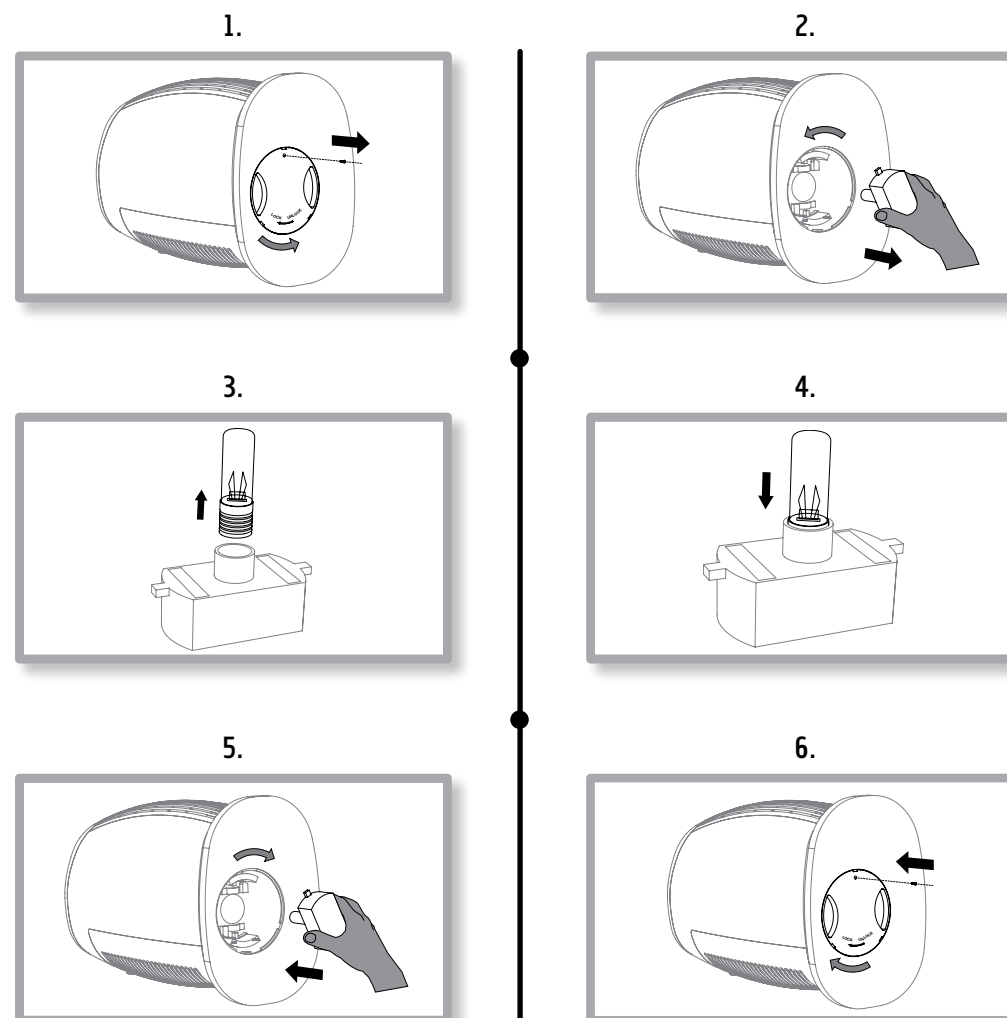
1. Turn off and unplug unit.
2. Use a washcloth slightly dampened with a little water and dishwashing soap to wipe the outer case surfaces.
3. Do not allow water to slip into the internal parts as this could damage your unit and result in electrical shock and injury to you.
4. Allow the unit to thoroughly dry before use.

## CLEANING & MAINTENANCE

Before replacing the UV lamp, make sure your Therapure® air purifier is turned off and unplugged.

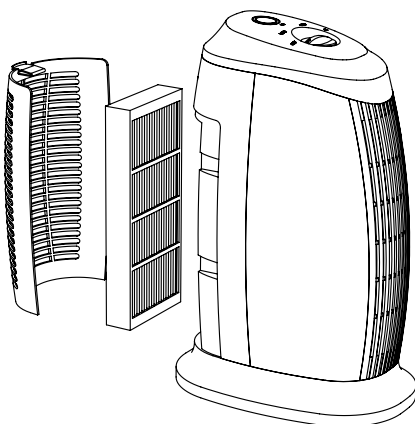
### Replacing the UV Lamp:

1. Take out the screw from the bottom cover (see Figure 1.). Rotate the cover counter-clockwise to remove the cover.
2. Pull out the lamp base assembly by rotating the assembly counter-clockwise to unlock.
3. Pull out the old UV lamp from the lamp base assembly.
4. Install the new UV lamp into the lamp base assembly.
5. Insert the UV lamp base assembly into the unit. Make sure the UV lamp base assembly snaps into place. Turn the base clockwise to lock it in.
6. Replace the cover (rotate cover clockwise) and the screw.



## TROUBLESHOOTING

PROBLEM	REASON	SOLUTION
<b>Unit will not operate.</b>	Speed Knob has not been turned on.	Turn on Speed Knob.
	Unit is unplugged.	Check to ensure unit is plugged in.
	The inlet grill has not been installed & locked into place.	Check to mke sure filters are properly installed & locked into place.
	The UV lamp cover has not been installed or locked in place.	Check to make sure the cover is properly installed and locked into place.
<b>Reduced airflow or poor filtering.</b>	The inlet or outlet grill may be blocked.	Check to ensure nothing is blocking air inlet & air outlet.
	Permanent filter may be clogged.	Check & clean filter, if necessary.
<b>No visible light in the UV light view window.</b>	UV button is not turned on.	Check that the UV button is turned on.
	UV lamp is broken.	Replace the UV lamp.



## ONE-YEAR LIMITED WARRANTY

### ONE YEAR LIMITED WARRANTY

Your Therapure® 101 air purifier is warranted to be free from defects in materials and workmanship for one year from the original purchase date, excluding the lamp. Should the product have a defect in materials or workmanship, we will repair or replace it without charge to you (a shipping and processing fee may apply). To obtain service under warranty, simply call our Customer Service Center toll-free at 1.800-554-6168.

This warranty does not cover any damage caused by accident, misuse or any use other than as intended and described in this owner's guide, or damage resulting from failure to maintain and clean this product as specified in this product manual. This warranty applies only to the original purchaser of the Therapure® 101 air purifier.

### Contact Info for Warranty Service:

Ionic Pro

P.O. Box 4135 | Hollywood, CA | 90028  
1.800-554-6168 | [www.therapureair.com](http://www.therapureair.com)

© 2007-2008 Ionic Pro, LLC. All Rights Reserved.

thera|pure®

## ARBITRATION AGREEMENT

THIS ARBITRATION AGREEMENT (“AGREEMENT”) AFFECTS YOUR LEGAL RIGHTS AND REMEDIES BY PROVIDING THAT DISPUTES BETWEEN YOU AND THE SELLER OF THIS PRODUCT (“COMPANY”), MUST BE RESOLVED THROUGH BINDING ARBITRATION, RATHER THAN IN A COURT. PLEASE READ THIS AGREEMENT CAREFULLY. YOU ACCEPT THE TERMS OF THIS AGREEMENT BY RETAINING THE PRODUCT(S) SHIPPED IN CONNECTION WITH THIS AGREEMENT (THE “PRODUCT”) FOR MORE THAN FOURTEEN (14) DAYS AFTER RECEIPT. IF YOU DO NOT AGREE TO THE TERMS OF THIS AGREEMENT, YOU MAY RETURN THE PRODUCT TO COMPANY WITHIN FOURTEEN (14) DAYS OF RECEIPT AT NO COST TO YOU.

### 1. RESOLUTION OF CLAIMS OR DISPUTES.

Any claim or dispute between you and Company (or any of Company’s subsidiaries or affiliates) arising out of or relating in any way to the Product or this Agreement shall be resolved through final, binding arbitration. This arbitration obligation applies regardless of whether the claim or dispute involves a tort, fraud, misrepresentation, product liability, negligence, violation of a statute, or any other legal theory. Both you and Company specifically acknowledge and agree that you waive your right to bring a lawsuit based on such claims or disputes and to have such lawsuit resolved by a judge or jury.

### 2. LIMITATION OF LEGAL REMEDIES.

All arbitrations under this Agreement shall be conducted on an individual (and not a class-wide) basis, and an arbitrator shall have no authority to award class-wide relief. You acknowledge and agree that this Agreement specifically prohibits you from commencing arbitration proceedings as a representative of others or joining in any arbitration proceedings brought by any other person.

### 3. ARBITRATION PROCEDURES.

**a.** Before commencing any arbitration proceedings under this Agreement, you must first present the claim or dispute to Company by calling 818.217.2500 and asking for the Legal Department and allowing Company the opportunity to resolve the claim or dispute. If your claim or dispute is not resolved within sixty (60) days, you may commence arbitration proceedings in accordance with the terms of this Agreement.

**b.** The arbitration of any claim or dispute under this Agreement shall be conducted pursuant to the American Arbitration Association’s (“AAA”) United States Commercial Dispute Resolution Procedures and Supplementary Procedures for Consumer-Related Disputes. These rules and procedures are available by calling the AAA or by visiting its web site at [www.adr.org](http://www.adr.org).

**c.** The arbitration of any claim or dispute under this Agreement shall be conducted in the State of California or the location in which you received this Agreement.

**d.** All administrative expenses of arbitration proceedings commenced under this Agreement shall be divided equally between you and Company, except that: (a) if the claim or dispute that is the subject of the arbitration proceedings is less than ten thousand dollars (US\$10,000), you will be responsible for no more than one hundred twenty-five dollars (US\$125) in administrative expenses; (b) if the claim or dispute that is the subject of the arbitration proceedings is more than ten thousand dollars (US\$10,000) but less than seventy-five thousand dollars (US\$75,000), you will be responsible for no more than three hundred seventy-five dollars (US\$375) in administrative expenses; and (c) if the claim or dispute that is the subject of the arbitration proceedings is more than seventy-five thousand dollars (US\$75,000), then you will be responsible for administrative expenses in accordance with the Commercial Fee Schedule provided by the AAA. You acknowledge and agree that each party shall pay the fees and costs of its own counsel, experts and witnesses.

### 4. CHOICE OF LAW.

This Agreement shall be governed by the United States Federal Arbitration Act and the laws of the State of California.

### 5. SEVERABILITY.

If any provision of this Agreement is declared or found to be unlawful, unenforceable or void, such provision will be ineffective only to the extent that it is found unlawful, unenforceable or void, and the remainder of the provision and all other provisions shall remain fully enforceable.

## UV LAMP REPLACEMENT SCHEDULE

**We recommend that you replace the UV lamp on an annual basis.**

UV lamp replaced on: \_\_\_\_\_

Purchased at: \_\_\_\_\_

UV lamp replaced on: \_\_\_\_\_

Purchased at: \_\_\_\_\_

UV lamp replaced on: \_\_\_\_\_

Purchased at: \_\_\_\_\_

UV lamp replaced on: \_\_\_\_\_

Purchased at: \_\_\_\_\_

UV lamp replaced on: \_\_\_\_\_

Purchased at: \_\_\_\_\_

UV lamp replaced on: \_\_\_\_\_

Purchased at: \_\_\_\_\_

UV lamp replaced on: \_\_\_\_\_

Purchased at: \_\_\_\_\_

